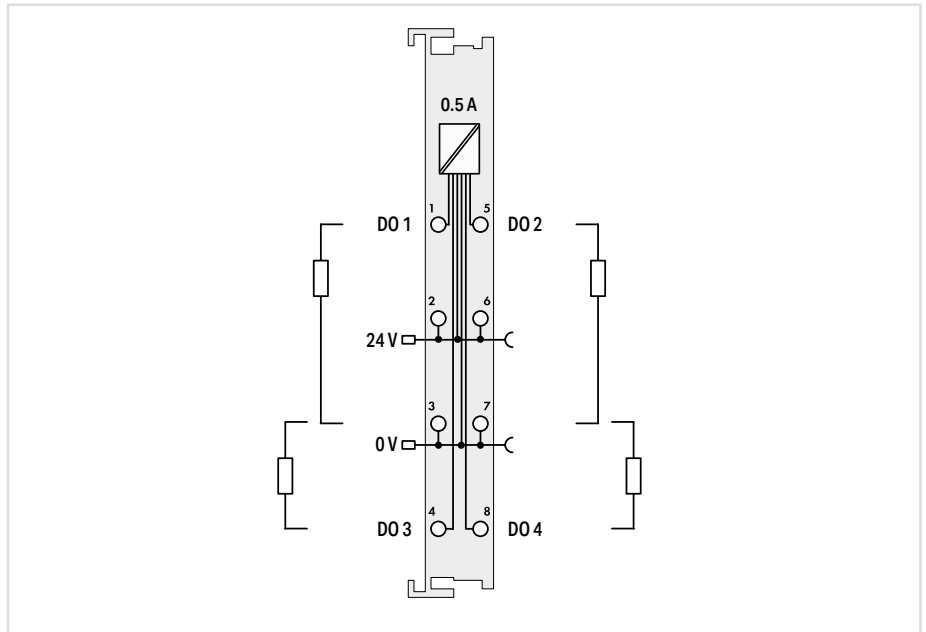


Digital Output; 24 VDC



Figure: 750-504

Figure: 753-504



Item Description		4-Channel Digital Output; 24 VDC; 0.5 A				
Version		Standard	Extended temperature	Pluggable (delivery without connector)	Interference-free	Interference-free; Extended temperature
Item No.		750-504	750-504/025-000	753-504	750-504/000-800	750-504/025-800
Order Text		4DO; 24 VDC; 0.5A	4DO; 24 VDC; 0.5A; T	4DO; 24 VDC; 0.5A	4DO; 24 VDC; 0.5A; IF	4DO; 24 VDC; 0.5A; IF; T
Technical Data						
Pluggable connector				•		
Interference-free for use in safety functions						•
Number of digital outputs		4				
Signal type		24 VDC				
Output characteristic		High-side switching				
Output current per channel		0.5 A; short-circuit-protected				
Load type		Resistive; inductive; lamp load				
Actuator connection		2 x (2-wire; 3-wire)*				
Switching frequency (max.)		1 kHz				
Supply voltage (field)		24 VDC (-25 ... +30 %); via power jumper contacts (power supply via blade contact; transmission via spring contact)				
Current consumption – system supply (5 V)		10 mA				
Data width (internal)		4 bits				
Isolation		500 V (system/field)				
Surrounding air temperature (operation)		0 ... +55 °C	-20 ... +60 °C	0 ... +55 °C	-20 ... +60 °C	
Dimensions W x H x D		12 x 69.8 x 100 mm				
Approvals						
CE; Marine; OrdLoc/HazLoc; ATEX/IECEX						
Accessories		Item No.				
Pluggable connector		753-110				
Coding keys		753-150				

*A suitable field side connection module (e.g., 750-614) must also be used to connect other actuators.